

GIRLS' SWEET 16 CHAMPIONSHIP

First Round

ASSUMPTION

VS.

OLDHAM COUNTY

March 25, 1993

VISITORS (Last Name, First)

NO.	NAME	Tot FG		3-POINT FG		FT	FTA	Rebounds			PF	TP	A	TO	BLK	S	TIME	
		FG	FGA	FG	FGA			OFF	DEF	TOT								
12	BRADSHAW, DAWN	2	8	0	2	7	10	1	1	2	2	11	0	2	0	0	25:56	
30	HART, JODY	3	5	0	0	2	2	1	4	5	3	8	0	0	0	0	21:25	
05	ELZY, KYRA	6	11	0	0	10	20	5	17	22	1	22	3	3	1	1	30:15	
04	HOLCOMB, STACEY	0	2	0	0	8	10	0	1	1	1	8	1	6	0	3	26:27	
11	HENDRON, CINDY	2	3	1	1	3	8	1	1	2	2	8	0	1	0	1	23:00	
24	CRAIGHYLE, J.	2	6	0	0	0	0	1	2	3	0	4	1	2	1	0	11:05	
23	FRANCIS, WENDY	0	3	0	1	2	2	1	0	1	2	2	0	0	0	0	7:56	
40	ROBINSON, E.	2	3	0	0	2	3	4	4	8	3	6	0	0	0	1	9:00	
31	DAILY, HEATHER	0	0	0	0	2	3	0	1	1	0	2	0	0	0	0	2:02	
21	MAY, CINDY	0	0	0	0	0	0	0	0	0	0	0	0	0	0	0	0:54	
45	KAMER, ANGIE	0	0	0	0	0	0	0	0	0	1	0	0	0	0	0	0:30	
44	WILLIAMS, H.	0	0	0	0	0	0	0	0	0	0	0	0	0	0	0	0:30	
41	ROBINSON, BECKY	0	0	0	0	0	0	0	0	0	0	0	0	0	0	0	0:30	
33	LANDES, SARAH	0	0	0	0	0	0	0	0	0	0	0	0	1	0	0	0:30	
TEAM REBOUNDS (INCLUDED IN TOTALS)								3	1	4								
TOTALS		17	42	1	4	36	58	17	32	49	16	71	5	17	2	6	160	
TOTAL FG 1st HALF 2/8		25.0%		2nd HALF 15/34		44.1% GAME		17/42		40.5% DEADBALL								
3-POINT FG 1st HALF 0/2		0.0%		2nd HALF 1/2		50.0% GAME		1/4		25.0% REBOUNDS		10						
FREE THROWS 1st HALF 11/16		68.3%		2nd HALF 25/42		59.5% GAME		36/58		62.1%								

HOME (Last Name, First)

NO.	NAME	Tot FG		3-POINT FG		FT	FTA	Rebounds			PF	TP	A	TO	BLK	S	TIME	
		FG	FGA	FG	FGA			OFF	DEF	TOT								
15	LAMPKIN, LISA	3	8	0	0	2	3	2	1	3	5	8	0	1	0	0	17:09	
24	KORKIN, BETH	3	10	0	0	1	2	3	4	7	4	7	3	1	1	1	28:12	
23	GONZALEZ, MERI	4	6	0	0	1	2	2	1	3	5	4	0	1	1	0	14:01	
04	KORDES, ANNE	1	4	0	0	0	0	2	3	5	4	2	1	0	0	1	15:21	
05	SIEGEL, AMY	1	16	0	1	1	2	0	1	1	5	3	5	4	0	4	28:25	
21	RICKERT, PAM	1	6	0	0	0	0	2	4	6	4	2	0	0	1	0	15:12	
11	URTON, CARRIE	2	2	0	0	0	0	2	0	2	0	4	0	0	0	0	3:48	
25	RUSSELL, ELAINE	6	15	0	0	4	11	10	5	15	3	16	0	4	0	1	21:40	
13	HOLLKAMP, DEANN	1	3	1	1	0	0	1	0	1	1	3	0	1	0	0	5:08	
22	CANNACK, TAMMY	0	2	0	0	0	0	0	0	0	2	0	2	0	0	0	4:04	
10	LYNOLN, JENNY	3	8	0	3	0	1	2	0	2	2	5	2	0	0	4	8:00	
14	PRESTON, CHRISSEY	0	0	0	0	0	0	0	0	0	0	0	0	0	0	0	0:30	
20	GONZALEZ, LORI	0	1	0	0	0	0	1	0	1	0	0	0	0	0	0	0:30	
TEAM REBOUNDS (INCLUDED IN TOTALS)								2	1	3								
TOTALS		25	81	1	5	9	21	28	20	49	35	60	13	12	3	11	160	
TOTAL FG 1st HALF 4/19		21.1%		2nd HALF 21/62		33.9% GAME		25/81		30.9% DEADBALL								
3-POINT FG 1st HALF 0/0		0.0%		2nd HALF 1/5		20.0% GAME		1/5		20.0% REBOUNDS		7						
FREE THROWS 1st HALF 5/6		83.3%		2nd HALF 4/15		26.7% GAME		9/21		42.9%								

OFFICIALS: LEWIS COOK, DOUGLAS HARLOW, ALI.-R. DAY
 Technicals: None

SCORE BY PERIODS

OLDHAM COUNTY	15	15	25	16	=	71
ASSUMPTION	13	5	19	23	=	60

Attendance: 4,070

COMMENTS:	POINTS OFF TURNOVERS	SECOND CHANCE POINTS
OLDHAM COUNTY	9 ASSUMPTION	19 OLDHAM COUNTY 13 ASSUMPTION
		22

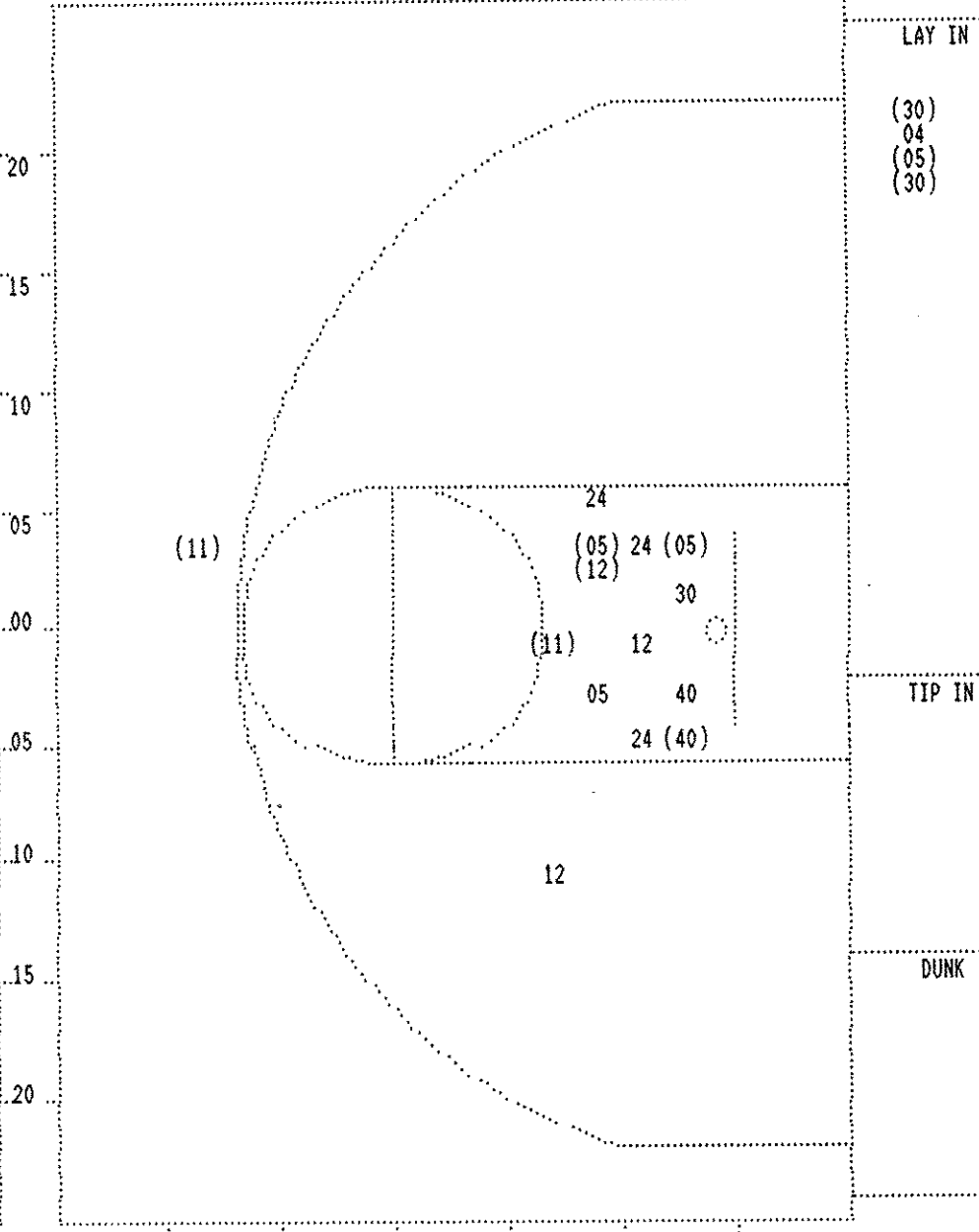
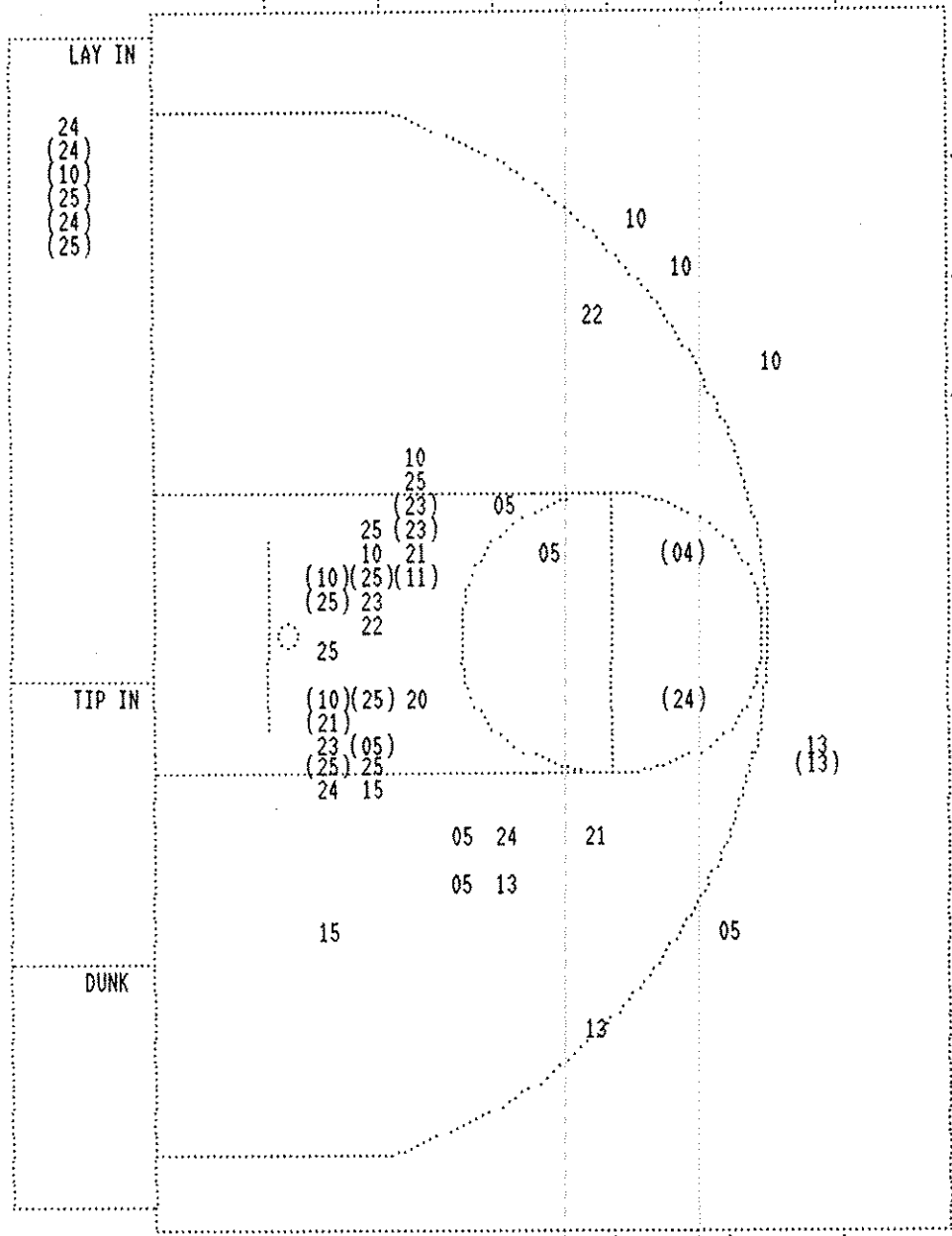
2nd Half Play by Play (continued)

PAGE : 4

Player	Team	ASSUMPTION	Time	Score	OLDHAM COUNTY	Player	Team
3-10	30.0%	20-69 28.9%	4 2:12	47-69*	HENDRON, CINDY, 1 & Bonus made 1st missed 2nd	3-8	37.5% 34-55 61.8%
5-13	38.4%	21-71 29.5%	4 1:49	*49-69			
		Follow Rebound by KORKIN, BETH	4 1:24	*51-69			
		Follow Rebound by RUSSELL, ELAINE	4 1:24		Foul on FRANCIS, WENDY	2	6
			4 1:24		Sub In: NAY, CINDY Out: BRADSHAW, DAWN		
			4 1:24		Sub In: HOLCOMB, STACEY Out: HENDRON, CINDY		
4-11	36.3%	9-20 45.0%	4 1:24				
6-14	42.8%	22-73 30.1%	4 1:19	*53-69			
1		19	4 1:13				
		RUSSELL, ELAINE, 1 Free Throw missed	4 1:13		Sub In: DAILY, HEATHER Out: ELZY, KYRA		
		3 ft Lane Follow by RUSSELL, ELAINE	4 1:13		HOLCOMB, STACEY, 1 & Bonus missed 1st	6-8	75.0% 34-56 60.7%
		Foul on HOLLKAMP, DEANN	4 0:30				
3		20	4 0:30	53-71*	HOLCOMB, STACEY, 1 & Bonus made both	8-10	80.0% 36-58 62.0%
		Foul on RUSSELL, ELAINE	4 0:30				
		Subs In: PRESTON,CHRISSEY, URTON, CARRIE, GONZALEZ, LORI	4 0:30				
		Out: RUSSELL, ELAINE, RICKERT, PAM, KORKIN, BETH	4 0:30		Subs In: KAMER, ANGIE, WILLIAMS, H., ROBINSON, BECKY, LANDES, SARAH		
			4 0:30		Out: HOLCOMB, STACEY, CRAIGMYLE, J., DAILY, HEATHER, NAY, CINDY		
1-3	33.3%	23-78 29.4%	4 0:20	*56-71			
		3 pt 22 ft Straight Away Jump shot					
		by HOLLKAMP, DEANN					
2		13					
		Assist by LINCOLN, JENNY					
3-8	37.5%	24-79 30.3%	4 0:09	*58-71			
		3 ft Lane Driving by LINCOLN, JENNY	4 0:09		Foul on KAMER, ANGIE	1	7
		REB: 47 A: 13 BLK: 3 TO: 12 PF: 20	4 0:09				
		S: 11 FT: 9-20 45.0% FG: 24-79 30.3%			OLDHAM COUNTY No. 2		
					REB: 49 A: 5 BLK: 2 TO: 17 PF: 7		
					S: 6 FT: 36-58 62.0% FG: 17-42 40.4%		
0-1	00.0%	9-21 42.8%	4 0:09				
0-1	Tot-1	0-1 Tot-49	4 0:00				
2-2	100%	25-81 30.8%	4 0:00	*60-71			
		LINCOLN, JENNY, 1 & Bonus missed 1st					
		Rebound by URTON, CARRIE					
		3 ft Lane Follow by URTON, CARRIE, made					

2nd Half Play by Play (continued)

Player	Team	ASSUMPTION	Time	Score	OLDHAM COUNTY	Player	Team
		Sub In: RICKERT, PAM Out: GONZALEZ, MERI	3	2:11			
			3	2:11	Sub In: FRANCIS, WENDY Out: HENDRON, CINDY		
2-8	25.0%	12-50 24.0%	3	2:11	ROBINSON, E., 1 Free Throw made	2-3	66.6% 21-32 65.6%
		4 ft Lane Follow by RUSSELL, ELAINE	3	1:54	*32-50		
4-10	40.0%	8-17 47.0%	3	1:54	Foul on ELZY, KYRA	2	3
		RUSSELL, ELAINE, 1 Free Throw missed	3	1:54			
1-2	50.0%	9-19 47.3%	3	1:31	Foul on BRADSHAW, DAWN	2	4
		KORKIN, BETH, 2 Free Throws missed 1st made 2nd	3	1:31	*33-50		
2-7	28.5%	13-52 25.0%	3	1:24	Foul on FRANCIS, WENDY	1	5
		Layup Off Fast Break by KORKIN, BETH	3	1:24	Sub In: HENDRON, CINDY Out: HOLCOMB, STACEY		
		Assist by CAMMACK, TAMMY	3	0:59	*35-50		
		Foul on CAMMACK, TAMMY	3	0:43			
			3	0:43	Sub In: HOLCOMB, STACEY Out: HENDRON, CINDY		
			3	0:43	Sub In: HENDRON, CINDY Out: FRANCIS, WENDY		
1-4	25.0%	14-53 26.4%	3	0:43	ELZY, KYRA, 2 Free Throws missed 1st made 2nd	9-15	60.0% 22-34 64.7%
		4 ft Lane SHOT Off Fast Break by RICKERT, PAM	3	0:34	*37-51		
		Assist by SIEGEL, AMY					
		Foul on RUSSELL, ELAINE	3	0:27			
			3	0:27	37-53* BRADSHAW, DAWN, 1 & Bonus made both	5-7	71.4% 24-35 66.6%
			3	0:15	37-55* 6 ft Lane Jump shot by HENDRON, CINDY	2-3	66.6% 15-37 40.5%
					Assist by HOLCOMB, STACEY	1	4



ASSUMPTION					
Player			Player		
15 - LAMPKIN, L	0 / 2	0.0%	10 - LINCOLN, J	3 / 8	37.5%
24 - KORKIN, BE	3 / 6	50.0%	11 - URTON, CAR	1 / 1	100.0%
23 - GONZALEZ,	2 / 4	50.0%	13 - HOLLKAMP,	1 / 4	25.0%
04 - KORDES, AN	1 / 1	100.0%	20 - GONZALEZ,	0 / 1	0.0%
05 - SIEGEL, AM	1 / 6	16.6%	21 - RICKERT, P	1 / 3	33.3%
Layups	1-9 Ft	10-15 Ft	Over 15 Ft	3 Pointers	Total
5 / 7	11 / 24	0 / 8	2 / 5	1 / 5	19 / 49
71.4%	45.8%	0.0%	40.0%	20.0%	38.8%

OLDHAM COUNTY					
Player			Player		
12 - BRADSHAW,	1 / 3	33.3%	24 - CRAIGMYLE,	0 / 3	0.0%
30 - HART, JODY	2 / 3	66.6%	40 - ROBINSON,	1 / 2	50.0%
05 - ELZY, KYRA	3 / 4	75.0%			
04 - HOLCOMB, S	0 / 1	0.0%			
11 - HENDRON, C	2 / 2	100.0%			
Layups	1-9 Ft	10-15 Ft	Over 15 Ft	3 Pointers	Total
3 / 6	5 / 12	0 / 1	1 / 1	9 / 20	
50.0%	41.7%	0.0%	100.0%	45.0%	

Official Boxscore * OFFICIAL FIRST HALF *

Date: 03-25-93 Site: GIRLS STATE TOURNEY GM 5

VISITORS (Last Name, First)

NO.	NAME	Tot FG		3-POINT		FT		Rebounds			PF	TP	A	TO	BLK	S	TIME
		FG	FGA	FG	FGA	FT	FTA	OFF	DEF	TOT							
12	BRADSHAW, DAWN	1	6	0	2	1	3	1	0	1	0	3	0	1	0	0	12:44
30	HART, JODY	1	2	0	0	2	2	1	3	4	3	4	0	1	0	0	10:48
05	ELZY, KYRA	3	7	0	0	5	9	4	5	9	1	11	0	1	0	1	16:00
04	HOLCOMB, STACEY	0	1	0	0	2	2	0	1	1	1	2	0	5	0	2	14:55
11	HENDRON, CINDY	0	1	0	0	0	2	1	1	2	2	0	0	1	0	1	9:11
24	CRAIGHYLE, J.	2	3	0	0	0	0	0	1	1	0	4	1	1	0	0	6:54
23	FRANCIS, WENDY	0	3	0	1	2	2	1	0	1	0	2	0	0	0	0	4:16
40	ROBINSON, E.	1	1	0	0	0	0	2	3	5	2	2	0	0	0	1	3:53
31	DAILY, HEATHER	0	0	0	0	2	3	0	1	1	0	2	0	0	0	0	1:19
TEAM REBOUNDS (INCLUDED IN TOTALS)								2	1	3							
TOTALS		8	24	0	3	14	23	12	16	28	9	30	1	10	0	5	80
TOTAL FG 1st HALF		2	8	25.0%	2nd HALF		6	16	37.5% GAME	8		24	33.3%	DEADBALL			
3-POINT FG 1st HALF		0	2	0.0%	2nd HALF		0	1	0.0% GAME	0		3	0.0%	REBOUNDS		4	
FREE THROWS 1st HALF		11	16	68.8%	2nd HALF		3	7	42.9% GAME	14		23	60.9%				

HOME (Last Name, First)

NO.	NAME	Tot FG		3-POINT		FT		Rebounds			PF	TP	A	TO	BLK	S	TIME
		FG	FGA	FG	FGA	FT	FTA	OFF	DEF	TOT							
15	CAMPKIN, LISA	3	6	0	0	2	3	2	1	3	3	8	0	1	0	0	11:36
24	KORKIN, BETH	0	4	0	0	0	0	0	2	2	2	0	1	0	0	1	12:42
23	GONZALEZ, MERI	2	2	0	0	0	0	1	0	1	3	4	0	1	1	0	8:12
04	KORDES, ANNE	0	3	0	0	0	0	2	2	4	3	0	0	0	0	1	10:29
05	SIEGEL, AMY	0	10	0	0	1	2	0	1	1	1	1	3	3	0	3	14:19
21	RICKERT, PAM	0	3	0	0	0	0	1	0	1	2	0	0	0	1	0	7:48
11	URTON, CARRIE	1	1	0	0	0	0	1	0	1	0	2	0	0	0	0	3:18
25	RUSSELL, ELAINE	0	5	0	0	3	3	5	2	7	1	3	0	2	0	1	9:55
13	HOLLKAMP, DEANN	0	0	0	0	0	0	0	0	0	0	0	0	1	0	0	1:41
TEAM REBOUNDS (INCLUDED IN TOTALS)								2	1	3							
TOTALS		6	34	0	0	6	13	14	9	23	15	18	4	8	2	6	80
TOTAL FG 1st HALF		4	19	21.1%	2nd HALF		2	15	13.3% GAME	5		34	17.5%	DEADBALL			
3-POINT FG 1st HALF		0	0	0.0%	2nd HALF		0	0	0.0% GAME	0		0	0.0%	REBOUNDS		5	
FREE THROWS 1st HALF		5	6	83.3%	2nd HALF		1	7	14.3% GAME	6		13	46.2%				

OFFICIALS: LEWIS COOK, DOUGLAS HARLOW, ALT.-R. DAY
 Technicals: None

SCORE BY PERIODS

OLDHAM COUNTY	15	15	=	30
ASSUMPTION	13	5	=	18

Attendance:

COMMENTS: POINTS OFF TURNOVERS
 OLDHAM COUNTY 2 ASSUMPTION

7 SECOND CHANCE POINTS
 OLDHAM COUNTY 9 ASSUMPTION

6

Player	Team	ASSUMPTION	Time	Score	OLDHAM COUNTY	Player	Team
KORDES, ANNE, SIEGEL, AMY, KORKIN, BETH, GONZALEZ, MERI, RUSSELL, ELAINE					HOLCOMB, STACEY, ELZY, KYRA, FRANCIS, WENDY, CRAIGMYLE, J., ROBINSON, E.		
					Ball to LADY COLONELS		
			2 7:41	13-17*	6 ft Lane Driving by CRAIGMYLE, J.	2-2	100% 3-9 33.3%
			2 6:55	13-19*	2 ft Lane Follow by ROBINSON, E.	1-1	100% 4-12 33.3%
			2 6:39		Foul on ELZY, KYRA	1	6
3-4	75.0% 6-8	75.0% RUSSELL, ELAINE, 2 Free Throws missed 1st made 2nd	2 6:39	*14-19			
2	10	Foul on KORDES, ANNE	2 6:09				
		Sub In: LAMPKIN, LISA Out: KORDES, ANNE	2 6:09		Sub In: BRADSHAW, DAWN Out: CRAIGMYLE, J.		
2-2	100% 5-21	23.8% 6 ft Lane Bank by GONZALEZ, MERI	2 6:09		ELZY, KYRA, 1 & Bonus missed 1st	4-7	57.1% 11-17 64.7%
1	3	Assist by KORKIN, BETH	2 5:54	*16-19			
2-3	66.6% 6-9	66.6% LAMPKIN, LISA, 1 & Bonus missed 1st	2 5:37		Foul on ROBINSON, E.	1	7
			2 5:37				
			2 5:09		Sub In: HENDRON, CINDY Out: FRANCIS, WENDY		
			2 5:09		Sub In: HART, JODY Out: ROBINSON, E.		
		Sub In: HOLLKAMP, DEANN Out: SIEGEL, AMY	2 5:09				
			2 4:49	16-21*	4 ft Lane Driving by ELZY, KYRA	2-4	50.0% 5-17 29.4%
			2 4:42				
		REB: 16 A: 3 BLK: 1 TO: 6 PF: 10			REB: 16 A: 0 BLK: 0 TO: 7 PF: 7		
		S: 3 FT: 6-9 66.6% FG: 5-23 21.7%	No. 1 ASSUMPTION	T I M E - O U T	S: 3 FT: 11-17 64.7% FG: 5-17 29.4%		
			2 3:30	16-23*	2 ft Lane Driving by ELZY, KYRA	3-5	60.0% 6-19 31.5%
3	11	Foul on GONZALEZ, MERI	2 3:28				
		Sub In: SIEGEL, AMY Out: HOLLKAMP, DEANN	2 3:28				
		Sub In: RICKERT, PAM Out: GONZALEZ, MERI	2 3:28				
			2 3:28				
1	12	Foul on KORKIN, BETH	2 3:28	16-24*	ELZY, KYRA, 1 Free Throw made	5-8	62.5% 12-18 66.6%
			2 2:24				
			2 2:24		Sub In: CRAIGMYLE, J. Out: HOLCOMB, STACEY		
			2 2:24		BRADSHAW, DAWN, 1 & Bonus missed 1st	1-3	33.3% 12-19 63.1%
			2 2:16	16-26*	4 ft Lane Turnaround by HART, JODY	1-2	50.0% 7-22 31.8%
			2 2:03		Foul on HART, JODY	3	8
			2 2:03		Sub In: ROBINSON, E. Out: HART, JODY		
3-6	50.0% 6-11	54.5% RUSSELL, ELAINE, 2 Free Throws missed both	2 2:03				
			2 1:41	16-28*	18 ft Left Side Jump shot by BRADSHAW, DAWN	1-6	16.6% 8-24 33.3%
					Assist by CRAIGMYLE, J.	1	1
			2 1:19		Foul on ROBINSON, E.	2	9
			2 1:19		Sub In: HOLCOMB, STACEY Out: HENDRON, CINDY		
3-8	37.5% 6-13	46.1% RUSSELL, ELAINE, 2 Free Throws missed both	2 1:19				
			2 1:19				
3-6	50.0% 6-33	18.1% 12 ft Right Base Line Jump shot by LAMPKIN, LISA	2 1:04	*18-28			
3	4	Assist by SIEGEL, AMY					
3	13	Foul on LAMPKIN, LISA					
			2 0:48				
			2 0:48		DAILY, HEATHER, 1 & Bonus missed 1st	0-1	00.0% 12-20 60.0%
2	14	Foul on KORKIN, BETH	2 0:38				
			2 0:38		Sub In: FRANCIS, WENDY Out: BRADSHAW, DAWN		
		Sub In: KORDES, ANNE Out: LAMPKIN, LISA	2 0:38				
			2 0:38		ELZY, KYRA, 1 & Bonus missed 1st	5-9	55.5% 12-21 57.1%
3	15	Foul on KORDES, ANNE	2 0:05				
			2 0:05	18-30*	DAILY, HEATHER, 1 & Bonus made both	2-3	66.6% 14-23 60.8%
			2 0:00		Steal by HOLCOMB, STACEY	1	5

OLDHAM COUNTY "LADY COLONELS" vs ASSUMPTION "ROCKETS"
1st Half Play by Play

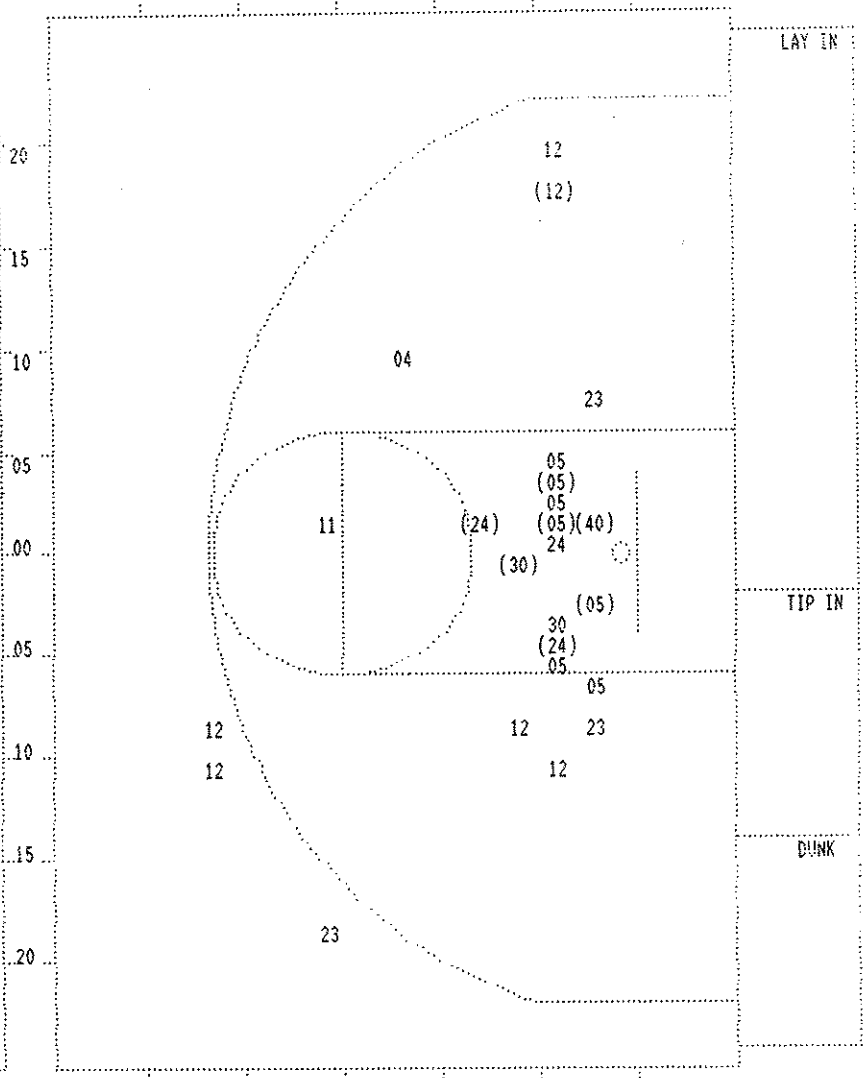
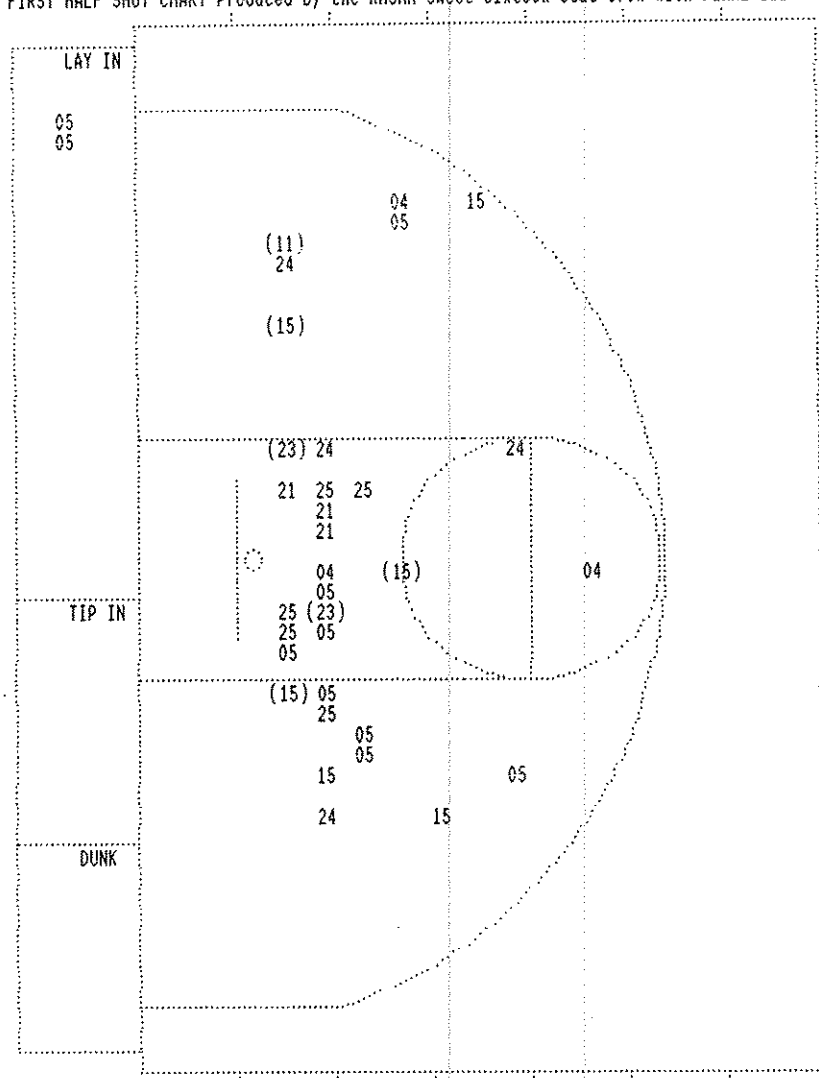
Player	Team	ASSUMPTION
LAMPKIN, LISA	KORKIN, BETH	GONZALEZ, MERI
KORDES, ANNE	SIEGEL, AMY	
1	1	Foul on GONZALEZ, MERI
1-1	100%	1-3 33.3%
1-1	100%	2-4 50.0%
1	1	3 ft Lane Follow by GONZALEZ, MERI
1	2	6 ft Left Base Line Jump shot by LAMPKIN, LISA
		Assist by SIEGEL, AMY
1	2	Foul on KORDES, ANNE
2-3	66.6%	3-7 42.8%
2	3	6 ft Lane Jump shot by LAMPKIN, LISA
		Foul on GONZALEZ, MERI
		Sub In: RICKERT, PAM Out: GONZALEZ, MERI
1	4	Foul on LAMPKIN, LISA
2-2	100%	2-2 100%
1	5	Sub In: URTON, CARRIE Out: KORKIN, BETH
2	6	LAMPKIN, LISA, 2 Free Throws made both
2	7	Foul on RICKERT, PAM
		Sub In: RUSSELL, ELAINE Out: LAMPKIN, LISA
1-1	100%	4-16 25.0%
2	2	Foul on RICKERT, PAM
		Sub In: RUSSELL, ELAINE Out: LAMPKIN, LISA
1-2	50.0%	3-4 75.0%
1	8	SIEGEL, AMY, 2 Free Throws missed 1st made 2nd
		Foul on SIEGEL, AMY
2-2	100%	5-6 83.3%
1	9	RUSSELL, ELAINE, 2 Free Throws made both
		Foul on RUSSELL, ELAINE

PAGE : 1
Time Score

Tip off at 1:00 p.m. on 03/25/93 at GIRLS STATE TOURNEY GM 5
Produced by the KHSAA Sweet Sixteen Stat Crew with Final III - a Product of LEXICON
OLDHAM COUNTY

Player	ASSUMPTION	Player	ASSUMPTION
BRADSHAW, DAWN	HART, JODY	ELZY, KYRA	HOLCOMB, STACEY
HENDRON, CINDY			
1	7:38	0-2*	2-2 100%
1	7:38		2-2 100%
1	6:45	*2-2	
1	6:19	*4-2	
1	6:00		
1	6:00	4-4*	4-4 100%
1	5:43		4-4 100%
1	5:43		Foul on HENDRON, CINDY
1	4:40	*6-4	
1	4:20		
1	4:20		HENDRON, CINDY, 2 Free Throws missed both
1	4:20		0-2 00.0%
1	4:17		4-6 66.6%
1	4:17		4-8 50.0%
1	3:18		Foul on HENDRON, CINDY
1	3:18		2 2
1	3:18	*8-4	
1	3:18		
1	2:53	8-6*	3 ft Lane Driving by ELZY, KYRA
1	2:39		1-2 50.0%
1	2:39		1-6 16.6%
1	2:05		Sub In: CRAIGHYLE, J. Out: HENDRON, CINDY
1	2:05		
1	2:05	8-7*	BRADSHAW, DAWN, 2 Free Throws missed 1st made 2nd
1	1:55		1-2 50.0%
1	1:55		5-10 50.0%
1	1:36		
1	1:36	8-9*	HART, JODY, 2 Free Throws made both
1	1:36		2-2 100%
1	1:07	8-11*	4 ft Lane Turnaround by CRAIGHYLE, J.
1	1:07		1-1 100%
1	1:00		2-8 25.0%
1	0:55	*10-11	Foul on HART, JODY
1	0:55		1 3
1	0:47		Foul on HOLCOMB, STACEY
1	0:47		1 4
1	0:47		Sub In: FRANCIS, WENDY Out: BRADSHAW, DAWN
1	0:47	*11-11	
1	0:40		
1	0:40	11-13*	HOLCOMB, STACEY, 1 & Bonus made both
1	0:18		2-2 100%
1	0:18		9-14 64.2%
1	0:18		Foul on HART, JODY
1	0:18		2 5
1	0:18		Sub In: ROBINSON, E. Out: HART, JODY
1	0:18	*13-13	
1	0:02		
1	0:02		
1	0:02	13-15*	FRANCIS, WENDY, 1 & Bonus made both
1	0:02		2-2 100%
1	0:02		11-16 68.7%

FIRST HALF SHOT CHART Produced by the KHSAA Sweet Sixteen Stat Crew with FINAL III - a Product of LEXICON SPORTS



ASSUMPTION				
Player			Player	
15 - LAMPKIN, L	3/ 6	50.0%	11 - URTON, CAR	1/ 1 100.0%
24 - KORKIN, BE	0/ 4	0.0%	21 - RICKERT, P	0/ 3 0.0%
23 - GONZALEZ, 2	2/ 2	100.0%	25 - RUSSELL, E	0/ 5 0.0%
04 - KORDES, AN	0/ 3	0.0%		
05 - SIEGEL, AM	0/10	0.0%		
Layups	1-9 Ft	10-15 Ft	Over 15 Ft	3 Pointers Total
0 / 2	4 / 20	1 / 5	1 / 7	6 / 34
0.0%	20.0%	20.0%	14.3%	17.6%

OLDHAM COUNTY				
Player			Player	
12 - BRADSHAW,	1/ 6	16.6%	23 - FRANCIS, W	0/ 3 0.0%
30 - HART, JODY	1/ 2	50.0%	24 - CRAIGHYLE,	2/ 3 66.6%
05 - ELZY, KYRA	3/ 7	42.8%	40 - ROBINSON,	1/ 1 100.0%
04 - HOLCOMB, S	0/ 1	0.0%		
11 - HENDRON, C	0/ 1	0.0%		
Layups	1-9 Ft	10-15 Ft	Over 15 Ft	3 Pointers Total
7 / 16	0 / 3	1 / 2	0 / 3	8 / 24
43.8%	0.0%	50.0%	0.0%	33.3%